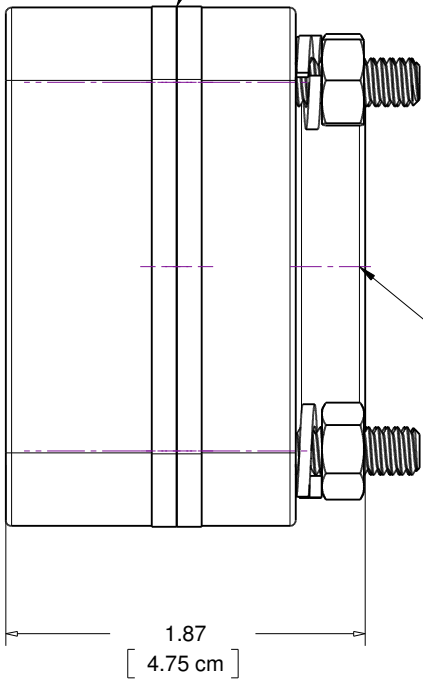
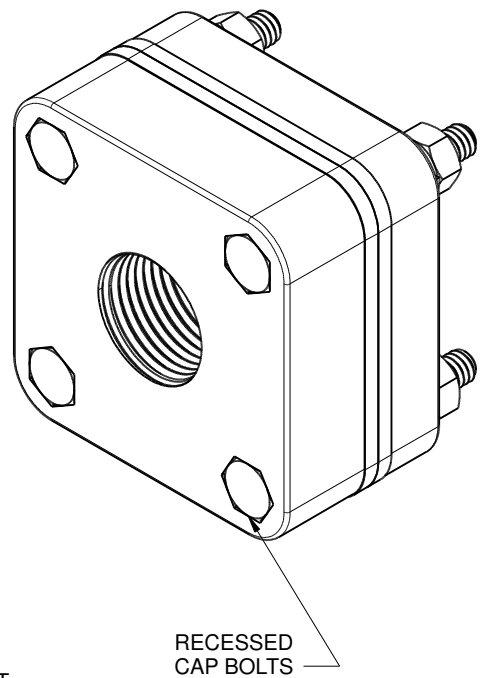


60498 (EPDM SUPPLIED)
60355 (VITON OPTIONAL)



3/4" NPT
BOTH ENDS



1. MATERIAL - POLYPROPYLENE, EPDM OR VITON GASKET AND 316 SS HARDWARE
2. MAXIMUM TANK WALL = 3/8"
HOLE SAW SIZE = 3/4"
BOLT DRILL SIZE = 5/16"

BEE VALVE, INC		
TITLE/DESC 3/4" POLY BOLTED TANK FITTING		
		MATERIAL SEE MATERIAL NOTE
DATE 09/07/17	PART NO 075-TFC	REV 09/21/17

THIS DOCUMENT CONTAINS PROPRIETARY INFORMATION AND MAY NOT BE DISCLOSED TO OTHERS FOR ANY PURPOSE, NOR USED FOR MANUFACTURING PURPOSES WITHOUT THE WRITTEN PERMISSION OF BEE VALVE INC